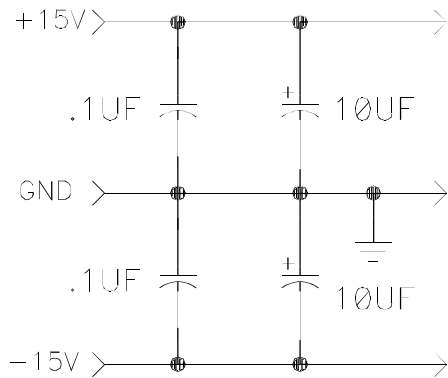
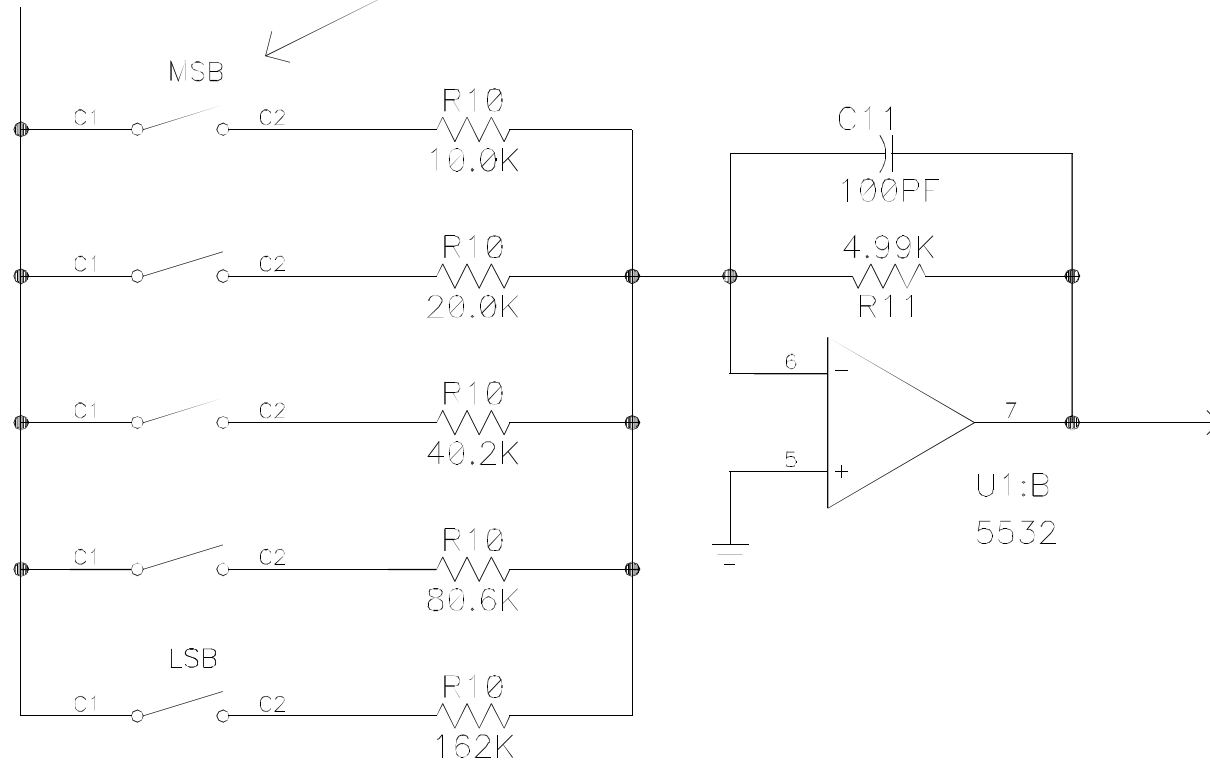


REFERENCE
VOLTAGE

Switches can mechanical
or electronic (like CMOS)



Title	SIMPLE 5-BIT DAC	
Size	DIBs Electronic Design	Rev
A	(916) 722-3877	
Date	Thu Aug 03 1995	Drawn by DIBs
Filename	SIMPDAC.S01	Sheet 1 of 1