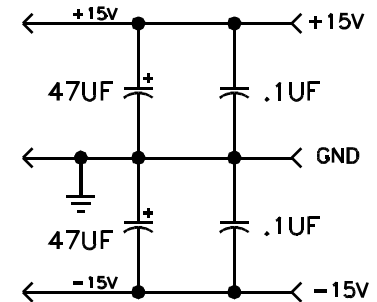
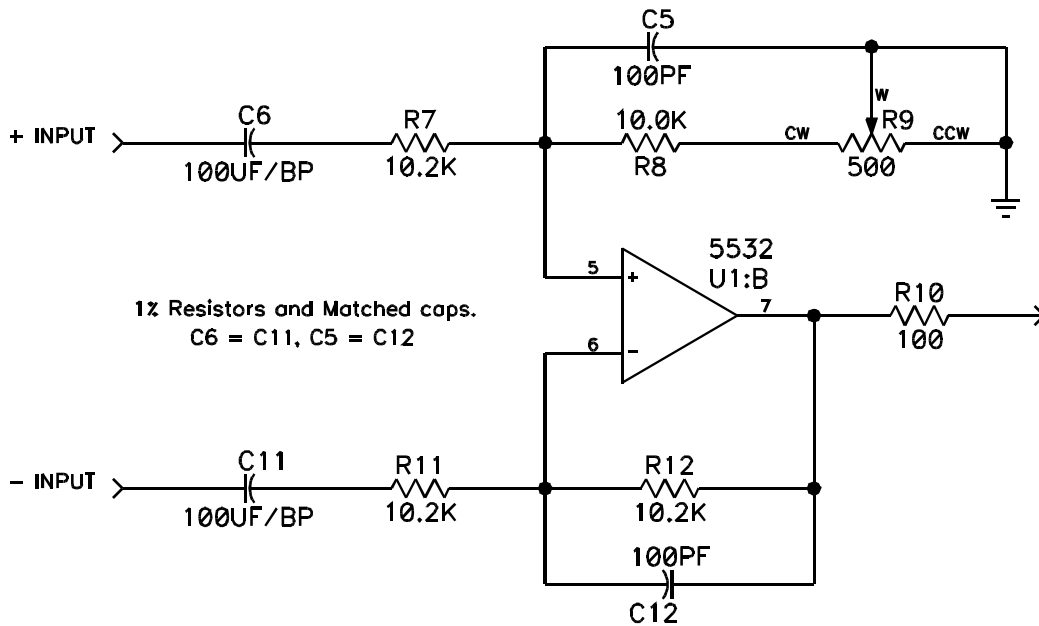


SIMPLE DIFFERENTIAL AMPLIFIERS

UNITY GAIN



<http://www.dibsplace.com/design/dcircats.html>

Title		
BASIC OP AMP CIRCUITS, #2		
Size	DIBs Electronic Design	Rev
A		
Date	Sat Mar 19 2005	Drawn by DIB
Filename	OPAMP02.S01	Sheet 1 of 1