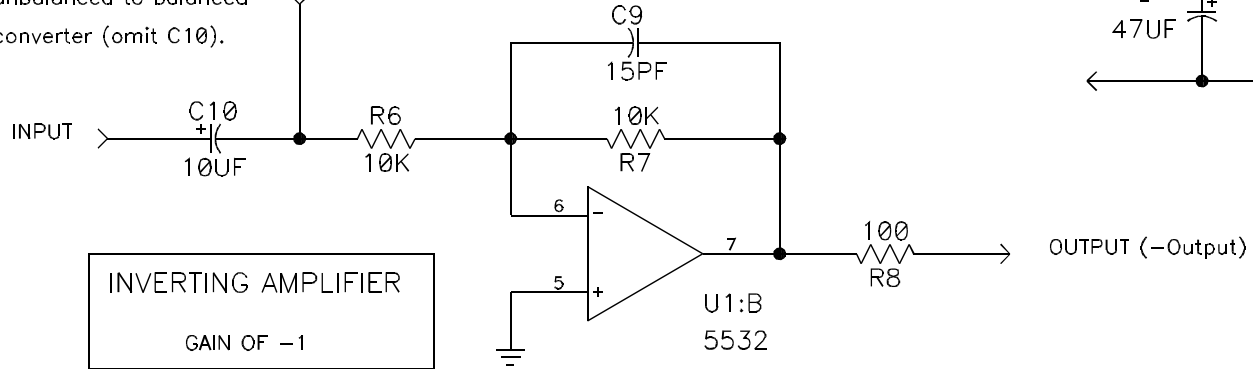
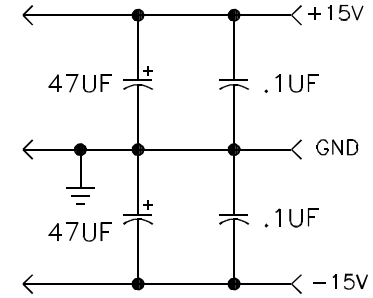


NON-INVERTING AMPLIFIER
15dB Gain

Connect here for simple unbalanced to balanced converter (omit C10).



INVERTING AMPLIFIER
GAIN OF -1



<http://www.dibsplace.com/design/dcircats.html>

Title		BASIC OP AMP CIRCUITS, #1	
Size	A	DIBs Electronic Design	Rev
Date	Sat Mar 19 2005	Drawn by	DIB
Filename	OPAMP01.S01	Sheet	1 of 1