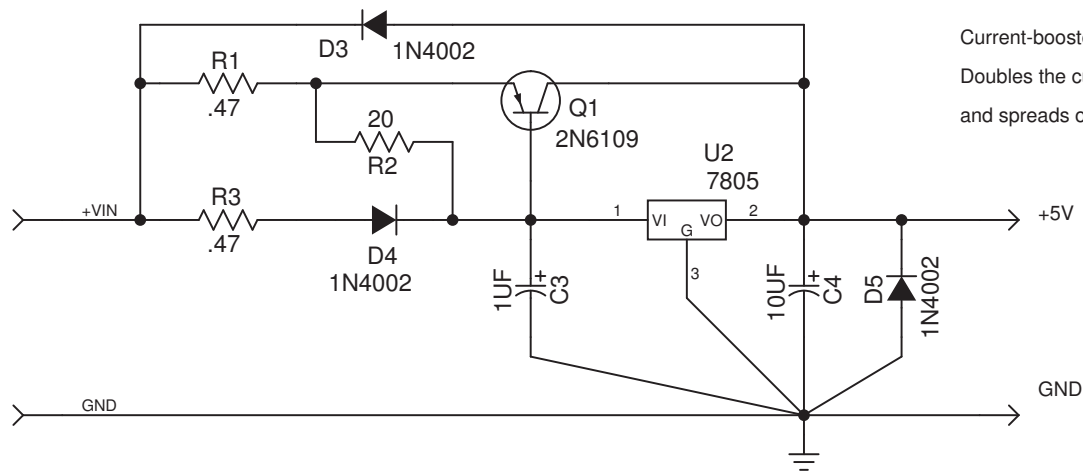


Normal 3-Terminal circuit



Current-boosted version.
Doubles the current output
and spreads out the heat.

<http://www.dibsplace.com/design/dcircats.html>

Title	
Three Terminal Reg w/current boost	
DIBs Electronic Design	
Date	Wed Sep 26 2007
Filename	REG3P.S01
Drawn by	DIB
Sheet	1 of 2