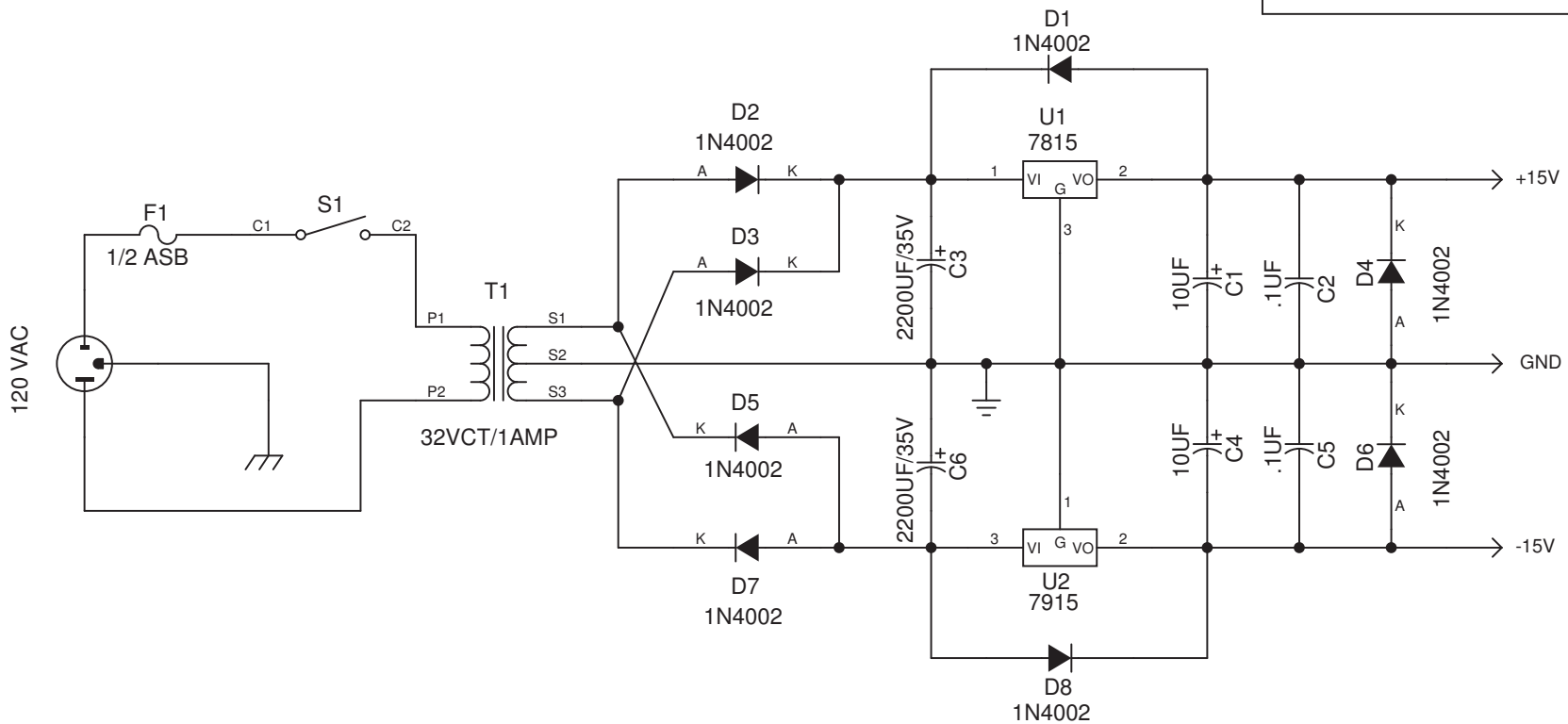


Dual +/- 15 Volt Power Supply



<http://www.dibsplace.com/design/dcircats.html>

Title Op Amp Dual Power Supply

DIBs Electronic Design

Date	Wed Sep 26 2007	Drawn by	DIB
Filename	OPAMP-PS.S01	Sheet	1 of 1