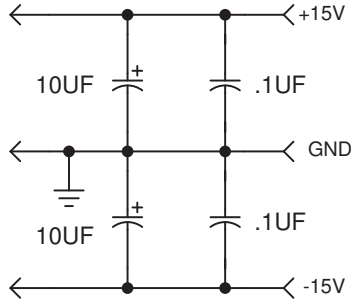


Simple Wein-Bridge Oscillator



<http://www.dibsplace.com/design/dcircats.html>

Title		Audio Oscillator	
DIBs Electronic Design			
Date	Wed Sep 26 2007	Drawn by	DIB
Filename	AUDOSC.S01	Sheet	1 of 1